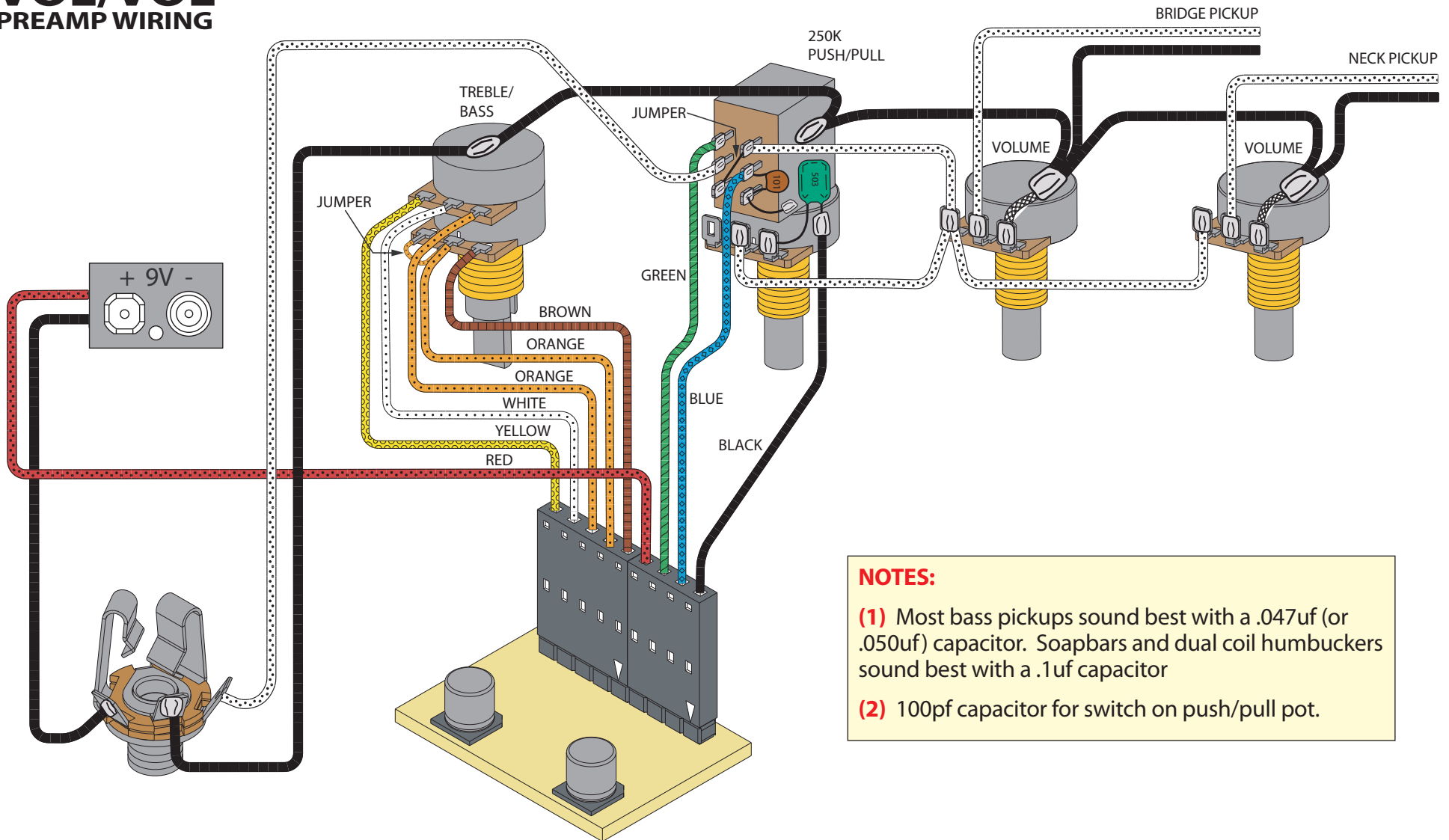


**VOL/VOL
PREAMP WIRING**



- NOTES:**
- (1) Most bass pickups sound best with a .047uf (or .050uf) capacitor. Soapbars and dual coil humbuckers sound best with a .1uf capacitor
 - (2) 100pf capacitor for switch on push/pull pot.